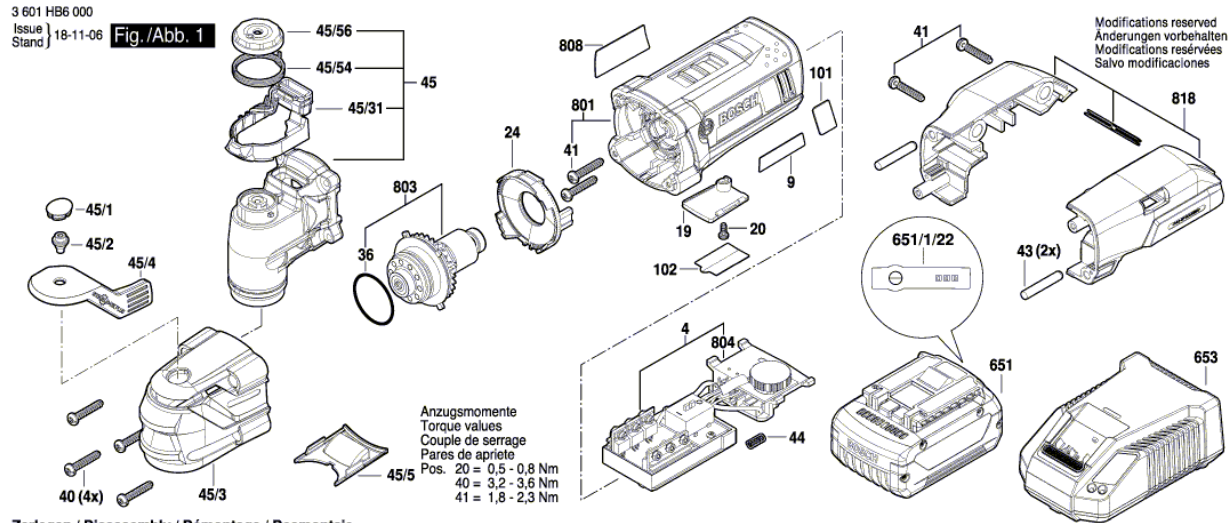
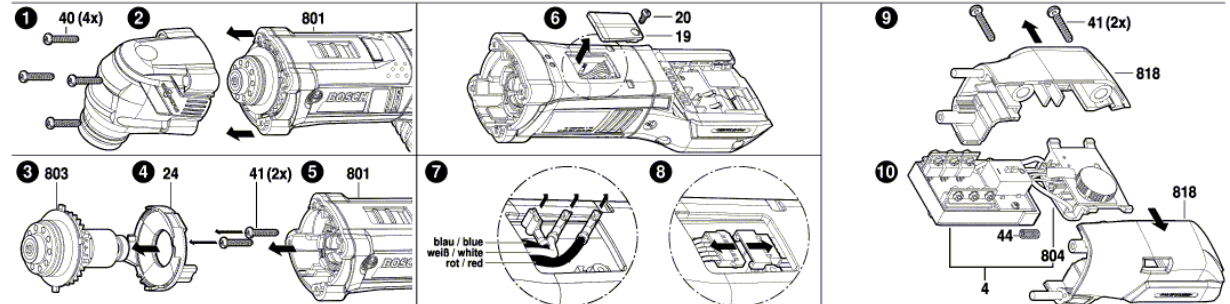


Illustration - Type - E



Zerlegen / Disassembly / Démontage / Desmontaje



Spare parts list

Item	Part Number	Description	Illustration
4	1 600 A01 EC4	Electronics Module	1
9	2 609 138 679	Manufacturer's nameplate	1
19	2 609 101 134	Cover	1
20	2 603 490 016	Torx Oval-Head Screw 3x8	1
24	2 609 101 144	Air-Deflector Ring	1
36	2 600 210 056	O-Ring 31,0x2,0 MM	1
41	2 603 490 024	Torx Oval-Head Screw 4x25	1
43	2 609 111 505	Straight Pin	1
44	1 609 280 477	Compression Spring	1
45	1 600 A01 6EN	Gear Head	1
45/1	2 601 020 017	Sealing cap	1
45/2	2 600 114 083	insulating ferrule	1
45/3	2 605 806 504	Cap	1
45/31	1 600 A00 4KU	Illumination Equipment	1
45/4	2 601 901 024	Lever	1
45/5	2 601 099 299	Safety Cover	1
45/54	2 604 690 068	Torsion Spring	1
45/56	2 600 114 091	Insulating Cap	1
101	2 609 133 977	Sticker	1
102	2 609 136 619	Reference Plate	1
651	1 607 A35 OMA	Battery Pack GBA 18V 2.0Ah	1
651	2 607 337 069	Battery Pack BBS MR, 18V, 5,0 Ah 48 S	1
651/1/22	2 601 115 537	Sticker	1
653	2 607 225 321	Charger EU 230/14,4-18V, 30 40 S	1
653	2 607 225 923	Charger GB 230/10,8-18V, 30 42 S	1
801	2 609 199 679	Housing Assembly	1
803	1 600 A00 P1T	Rotor	1
804	1 609 280 478	Contact retainer	1
808	1 601 11A 55Y	Nameplate	1
818	1 600 A00 XD7	Battery Housing	1